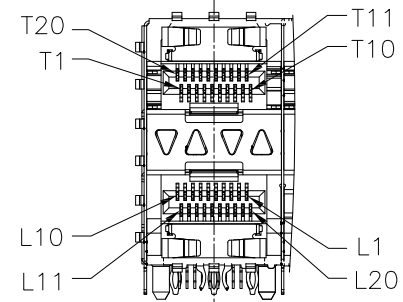
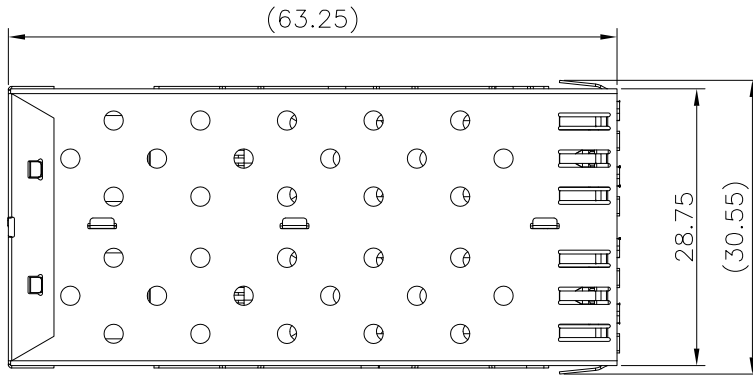
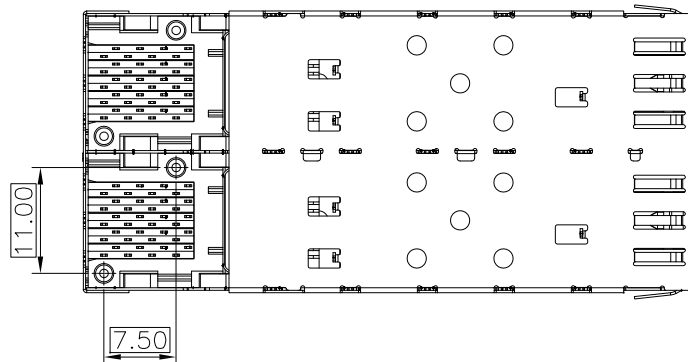
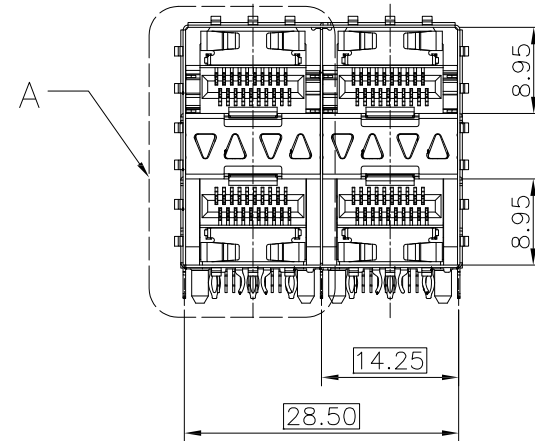
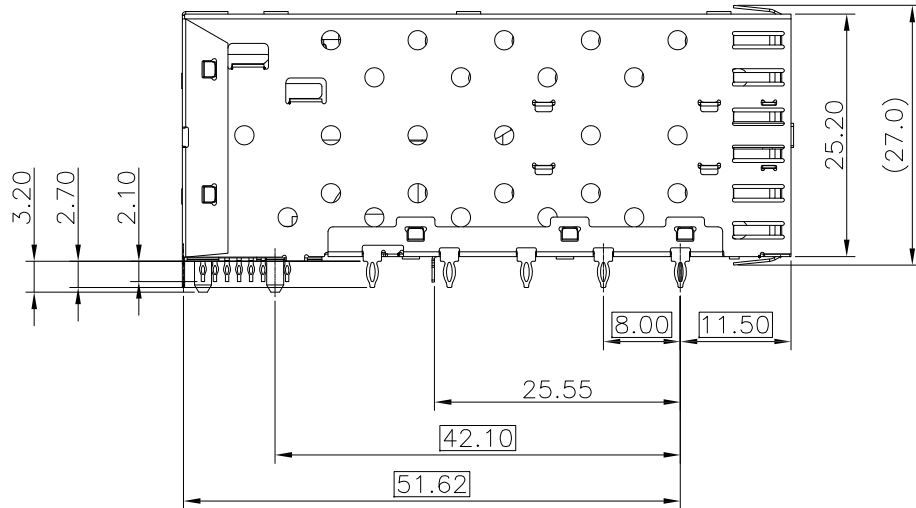


4	3	2	1
CATEGORY	DESCRIPTION	P/N #	
CONNECTOR	SFP 2*2 插板式 带内外灯	SFP01-22-HY	

REV.	ECN NO	DESCRIPTION	REVISED	DATE
A01		New Release	YST	2017.08.16



DETAIL A
1:1

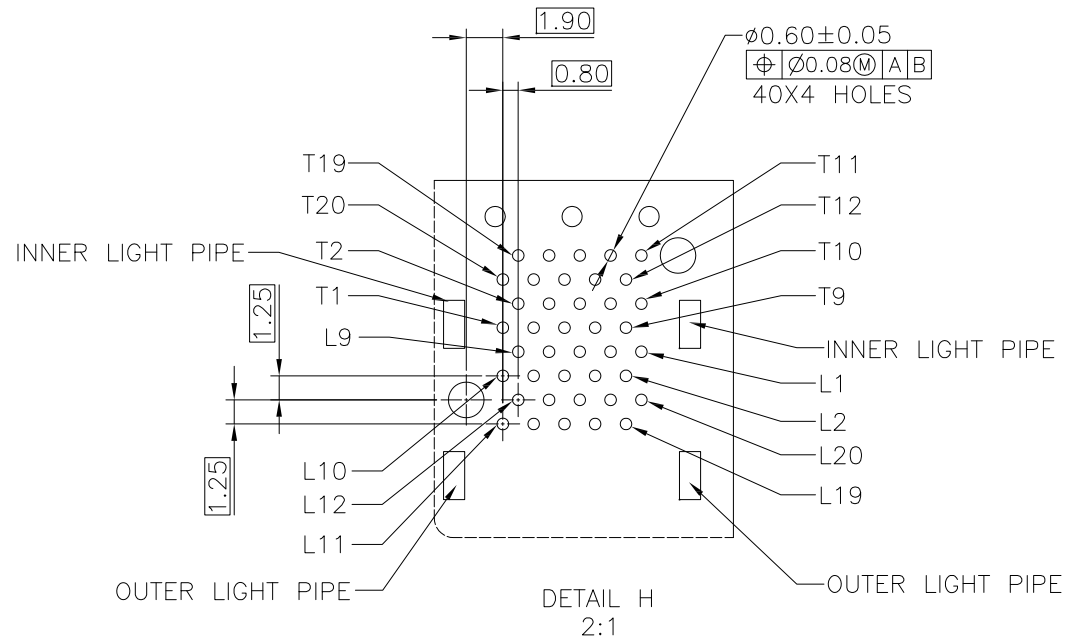
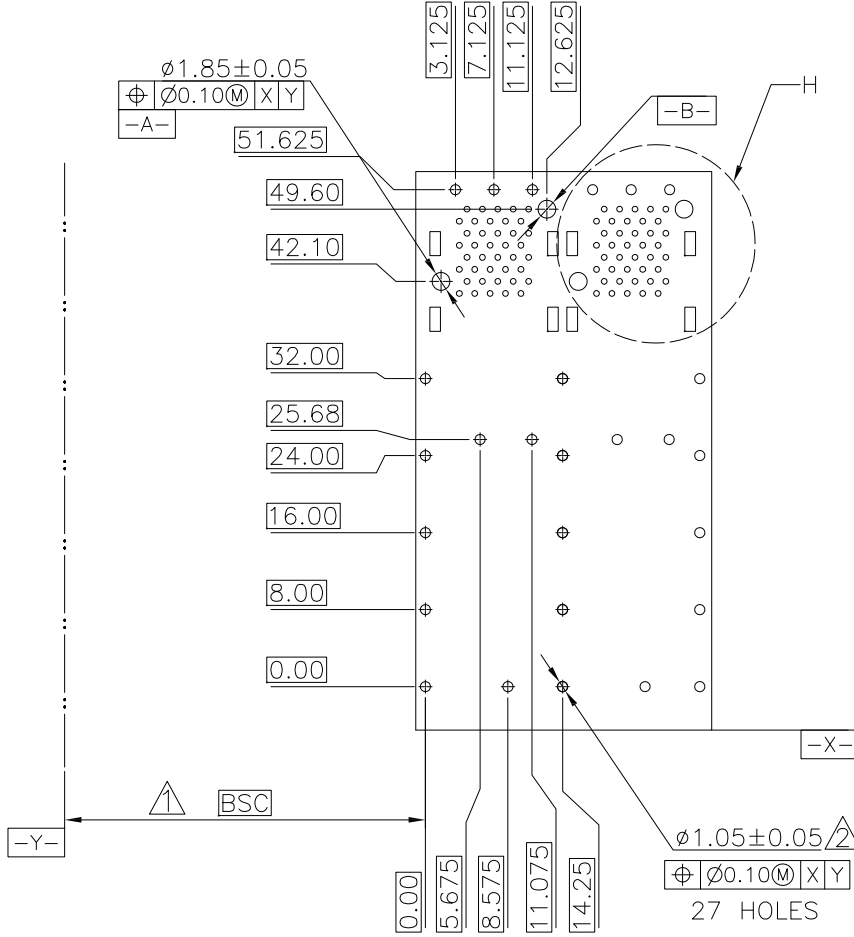



 东莞市合陵电子有限公司
 DongGuan HeLing Electronic Co.,LTD

UNLESS OTHERWISE SPECIFIED TOLERANCES	SCALE: 1/1	UNIT: mm	⊕	⊖	DWG.NO:
	SIZE: A3	PAGE: 1 OF 3	REV: A01		
DECIMALS: X :±0.5 X.X :±0.3 X.XX :±0.2	ANGLES: X :±2° X.X :±1°	APPROVED BY	CHECKED BY	PREPARED BY	
		DICK	XSX	YST	
CUSTOMER COPY					


4		3
CATEGORY	DESCRIPTION	P/N #
CONNECTOR	SFP 2*2 插板式 带内外灯	SFP01-22-HY

1				
REV.	ECN NO	DESCRIPTION	REVISED	DATE
A01		New Release	YST	2017.08.16



RECOMMENDED PCB CONFIGURATION

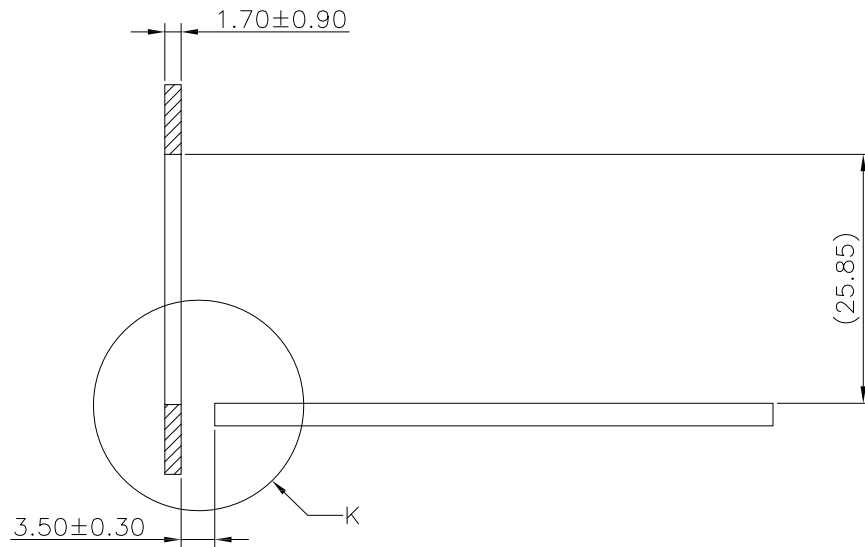
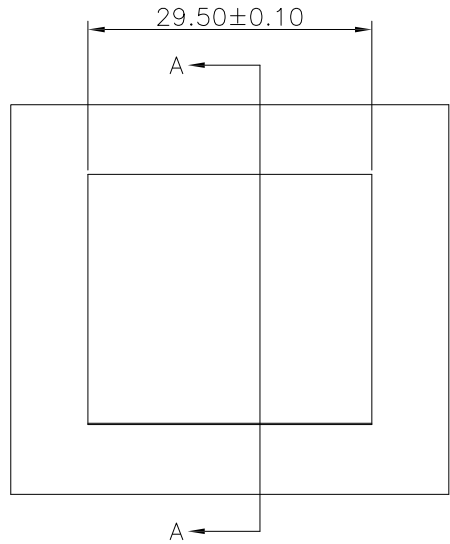
- NOTES:
- DATUM AND BASIC DIMENSIONS ESTABLISHED BY CUSTOMER.
 - 1.05 mm DIAMETER HOLES ARE CHASSIS GROUND (30 HOLES).


東莞市合陵電子有限公司
DongGuan HeLing Electronic Co.,LTD

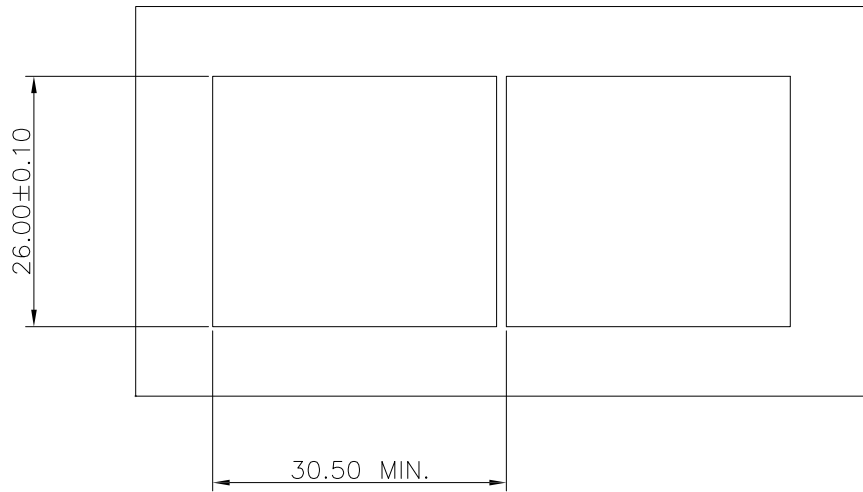
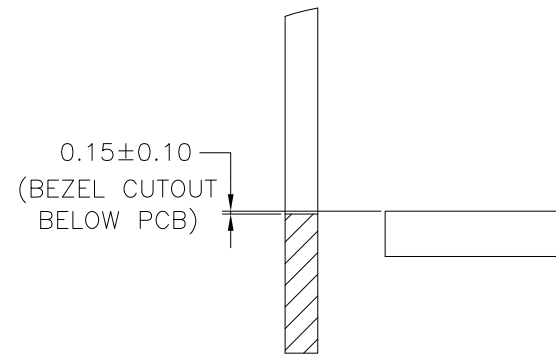
UNLESS OTHERWISE SPECIFIED TOLERANCES	SCALE: 1/1	UNIT: mm	DWG.NO:
	SIZE: A3	PAGE: 2 OF 3	
DECIMALS: X :±0.5 X.X :±0.3 X.XX :±0.2	ANGLES: X :±2° X.X :±1°	APPROVED BY DICK	CHECKED BY XSJ
		PREPARED BY YST	CUSTOMER COPY

4		3
CATEGORY	DESCRIPTION	P/N #
CONNECTOR	SFP 2*2 插板式 带内外灯	SFP01-22-HY

2	1			
REV.	ECN NO	DESCRIPTION	REVISED	DATE
A01		New Release	YST	2017.08.16



SECTION A-A



RECOMMENDED BEZEL DESIGN


 东莞市合陵电子有限公司
 DongGuan HeLing Electronic Co.,LTD

UNLESS OTHERWISE SPECIFIED TOLERANCES		SCALE: 1/1	UNIT: mm	DWG.NO:
DECIMALS: X :±0.5 X.X :±0.3 X.XX :±0.2		SIZE: A3	PAGE:3 OF 3	REV:A01
ANGLES: X :±2° X.X :±1°		APPROVED BY	CHECKED BY	PREPARED BY
		DICK	XSY	YST
CUSTOMER COPY				